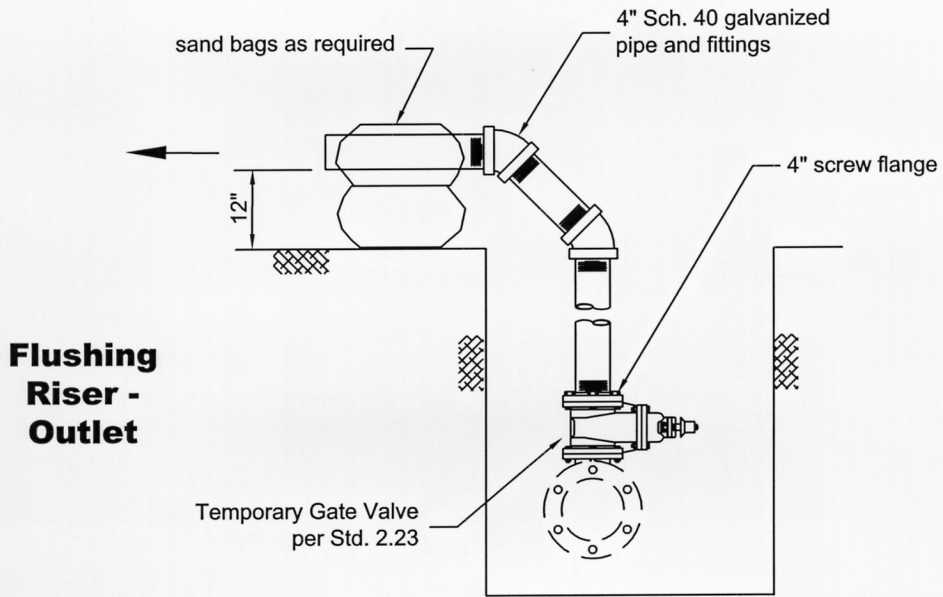
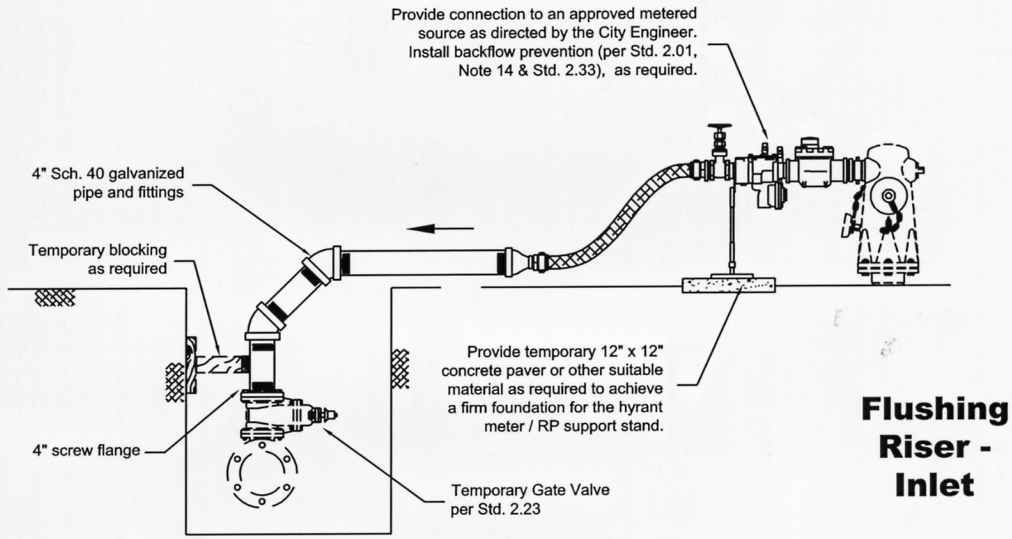


FLUSHING / SAMPLING CONNECTION FOR NEW MAIN CONSTRUCTION

Approved by: *R. Cantwell*
 City Engineer R.C.E. 28011
 Date: 3/20/04



Drawn by: JSWilliams
 Date: November 20, 2000
 Revised by: JSWilliams
 Date: March 8, 2004
 Effective Date: April 13, 2004



1. The Contractor shall provide all labor, material and equipment required to install and remove flushing and testing risers as required.
2. All pipe and fittings shall be new clean material and disinfected with a minimum 100 ppm solution Sodium Hypochlorite by the Contractor.



City of Glendora
 Public Works Department
STANDARD DESIGNS & SPECIFICATIONS

Adopted for use on Public and Private Improvements

S.D. & S. NO.

2.21

Page 1 of 2